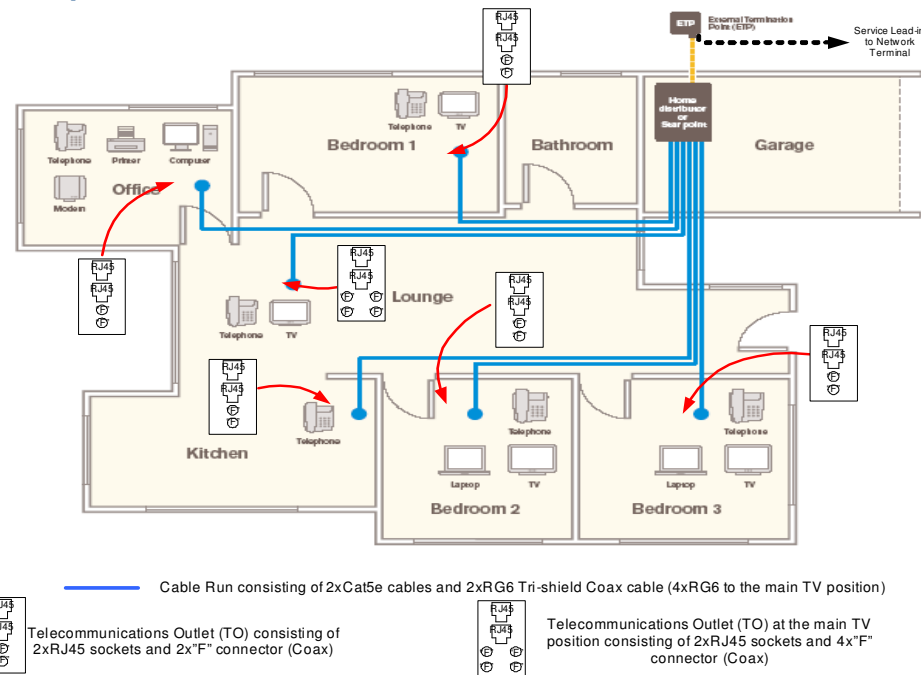


Minimum Communication Cable Installation Requirements for a New Residential Living Unit (House/Apartment/Unit)



The minimum cable installation requirements are:

- Cabling must be Star configuration.
- A "Home Distributor" is located at the Star Point to provide cross-connect and testing facilities
- This "Star point" must be internal, accessible and located just above the ETP position. The star point will typically be on the side wall of the garage, set into the wall.
- Cables to be a minimum specification of Cat5e (UTP) and Tri-Shield RG6 Coax.
- Run two Cat5e cables and two RG6 from the Star Point to each outlet position.
- Run two Cat5e cables and four RG6 from the star point to the main TV position
- Leave at least 300mm of cable slack at each outlet.
- Three Cat5 cables from the Star Point to the External Termination point (ETP). See over for details. Leave at least 500mm of cable slack at the ETP.
- Cable through brickwork at the ETP must be protected in a short length of plastic pipe.
- Ensure all clearances between communication cables and power cables are maintained.
- The Star Wiring point box must be large enough to house devices such as a router and video splitter, it must also have integrated power sockets for these devices

Recommended Outlets:

- At least two RJ45 type jackpoints with two "F" co-axial outlets (four "F" co-axial at the main TV position) on the same faceplate in each bedroom and normally occupied room, wet areas such as bathrooms and laundries are to be avoided. Two or more such outlets are recommended in the lounge, rumpus room and study.
- At the star wiring point the Cat5e cables should ideally be terminated on RJ45 type modular sockets mounted in a patch panel – this will allow very simple patching to/from routers and also easy replacement if one goes faulty

For further information refer to:
"TCF Code for Residential and SOHO Premises Wiring"
 This is available on, and can be downloaded from the TCF website - www.tcf.org.nz/premwiring

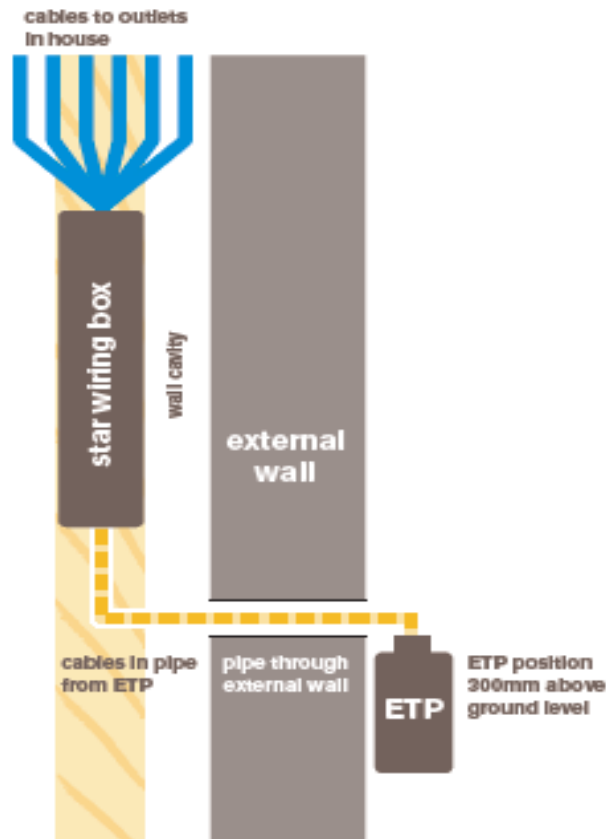
Minimum Communication Cable Installation Requirements for a New Residential Living Unit (House/Apartment/Unit)



Front view



Side view



- The ETP position will ideally be on the external wall of the garage.
- Ensure that a plastic pipe is installed through the brickwork at the ETP position and up into the Star Wiring Box – minimum of 15mm diameter pipe – use 300mm 90° bend, **not elbow**
- Run the three Cat5 cables from the Star Point to the ETP position.
- Leave at least 1000mm of slack loop at the Star Wiring Box and at least 500mm slack at the ETP position
- Install a dual power outlet in the bottom of the Star Wiring Box to power the equipment

- The Star Wiring Box must be installed in the inside wall above the ETP position. About eye level is ideal.
- Star Wiring Box minimum dimensions must be 365mm (W) x 710mm (H) x 80mm (D)
- Special Note: - The door on the Star Wiring Box must have louvers to facilitate air movement for equipment cooling